

# roller



**POWERFUL AND INVISIBLE: THE MOVEMENT COMES OUT FROM NOWHERE**

- ROLLER is an electro-mechanical underground gearmotor which moves the gate without changing the leaf's appearance.
- It has a patented lever-operated release with lock (standard supply), which can be activated both from inside and outside.

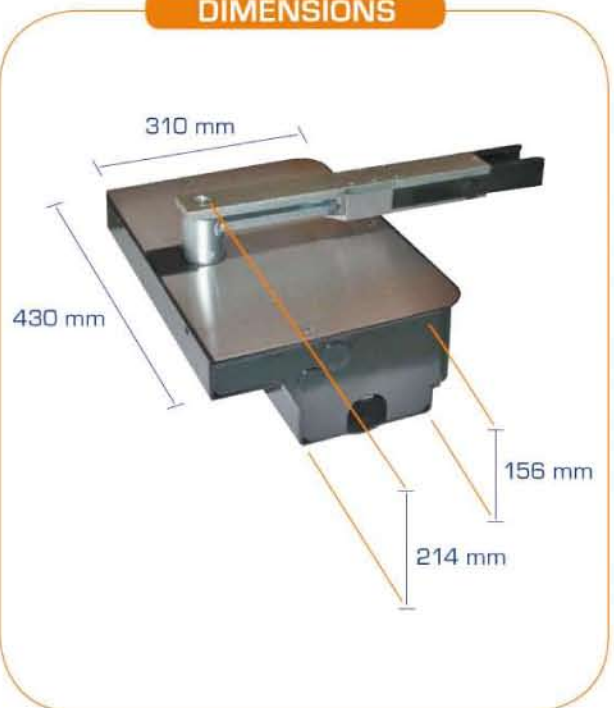
**CREATED FOR HEAVY DUTY**

- Protection class IP67.
- The polyester paint is suitable for installations also in saline environments, because it is proof against atmospheric agents.
- Can be housed in three different types of foundation boxes, according to environmental needs.

**HEAVY DUTY APPLICATIONS AND UP TO 180°**

- Openings to 180° can be automated, by selecting the appropriate patented release with plate.
- Field of application: up to 3 m and 500 kg max. per leaf, with leaf locking, up to 2 m without an electric lock.
- The 24V models are an important resource to increase the frequency of manoeuvres in case of intensive use.

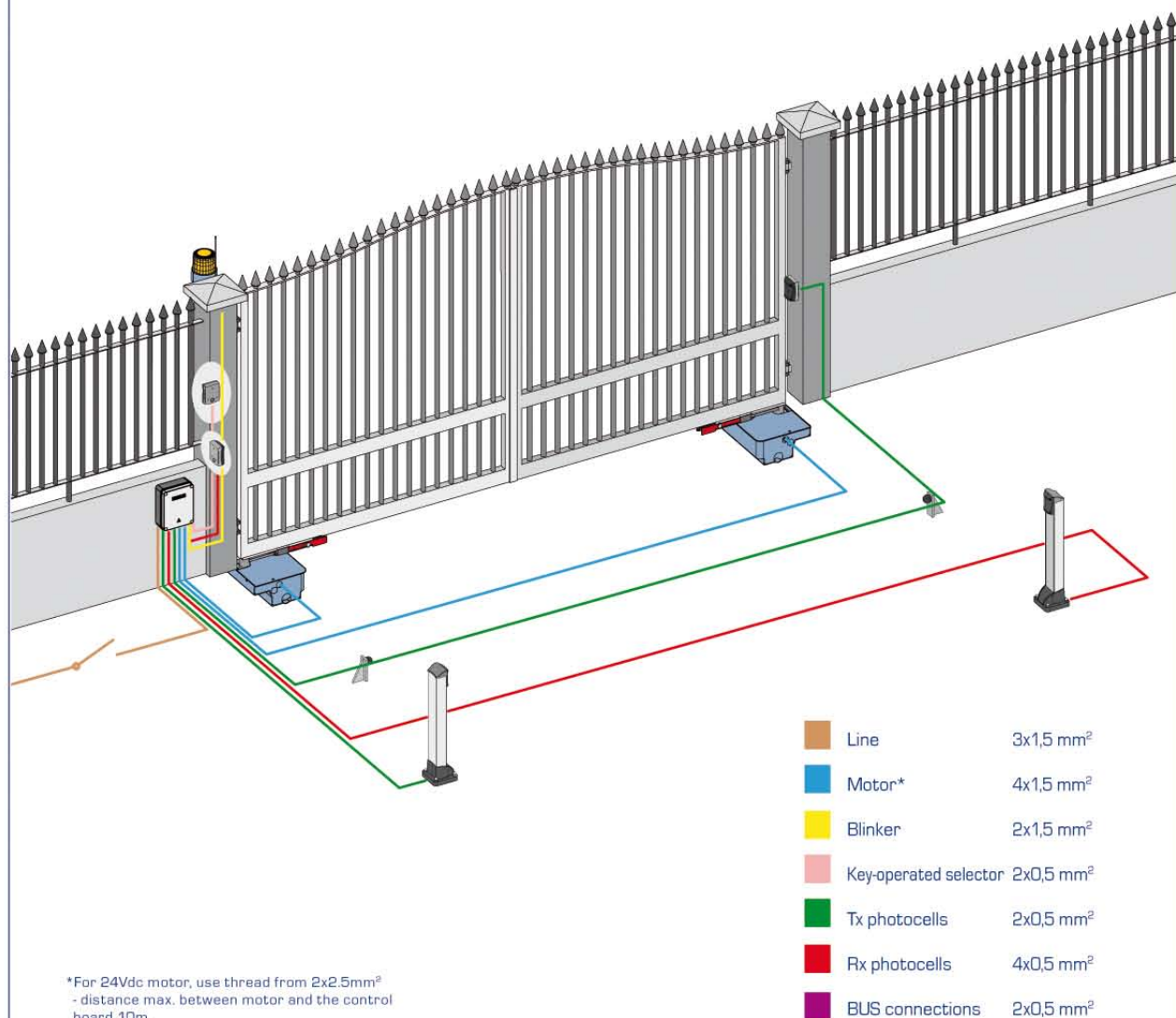
**DIMENSIONS**



Power supply 24V recommended for an intensive use.

Model	Version
ROLLER 24	Non-reversible power supply 24 Vdc
ROLLER LENTO	Non-reversible Slow
ROLLER	Non-reversible

## Electric wiring scheme



\*For 24Vdc motor, use thread from 2x2,5mm<sup>2</sup>  
- distance max. between motor and the control board 10m.

Technical specifications	ROLLER LENTO	ROLLER	ROLLER 24
Power supply [Vac]	230		24
Power [W]	300	380	70
Current [A]	1.3	1.7	3
Heat protection [°C]	140		-
Capacitor [µF]	12.5		-
Max. torque [Nm]	250	330	300
Angular speed [°/sec]	4	6	6
Leaf opening time at 90° [sec] <sup>(1)</sup>	27 (110°/180°) - 15 (140°)	18 (110°/180°) - 10.5 (140°)	18 (110°/180°) - 10.5 (140°)
Max. Leaf length [m] <sup>(1)(2)</sup>	3.5 (110°) - 3 (180°) - 2 (140°)		3.5 (110°) - 3 (180°) - 2 (140°)
Type and frequency of use at 20 °C	S3 - 30%		100%
Indicative hour cycles at 20°C	≥20 (110°/180°) ≥36 (140°)	≥30 (110°/180°) ≥50 (140°)	≥100 (110°/180°) ≥170 (140°)
Operating ambient temperature	-20°C +55°C		-20°C +55°C
Operator weight [Kg]	26.5		26.5
Protection class	IP67		IP67

(1) Opening time and max. leaf dimensions calculated for correctly executed installations at the dimensions indicated in the installation instructions and without slow-downs.

(2) Over 2,00 m, an electric lock is essential to ensure leaf blocking.

**CONTROL  
BOARDS**



**BRAIN 574 (Page 109)**  
**BRAIN 592 (Page 109)**  
**BRAIN 03 (Page 113)**  
**BRAIN 13 (Page 114)**



**ACCESSORES FOR ROLLER**



**LEVER RELEASE**

Lever release 110° opening,  
max. length leaf 3.5 m.

Lever release for 140° opening,  
max. length leaf 2 m.

**PATENTED**



**RELEASE WITH PLATE**

Release with geared plate for  
180° opening, max. length leaf 3 m.

NB: this accessory allows to wall the foundation in  
any position

**PATENTED**



**ADAPTER**

Adapter for installing ROLLER  
in existing foundation boxes.



**MAGNETIC LIMIT-SWITCH**

Kit composed by one magnetic  
limit-switch IP67 with relevant  
support for fixing a polarized  
magnet carrier disk.



**ROLLER BOX**

Self-supporting foundation box  
in steel, with anti-corrosion treatment,  
and cover in galvanised steel.

**ROLLER BOX EXTRA**

Self-supporting foundation box  
in steel, with anti-corrosion treatment,  
and cover in stainless steel.



**ROLLER BOX INOX**

Self-supporting foundation box  
in stainless steel, and cover  
in stainless steel



**OPENING MECHANICAL  
STOPS**

Opening mechanical stop for levers  
110°/140° (120° max. opening  
possibility for 140° levers) .



**CLOSING MECHANICAL  
STOPS**

Closing mechanical stop for levers  
110°/140°.

# The details which make the difference.



## Patented release

It's equipped with a patented lever release with production lock, operating both from the inside and outside.



## Magnetic limit-switch

kit made up of ip67 magnetic limit-switch with respective fixing bearing and a carrier polarized magnet ring.



## Paint motor protection

Polyester painting is suitable for installation also in a saline environment because it does not stand the aggression of atmospheric conditions.